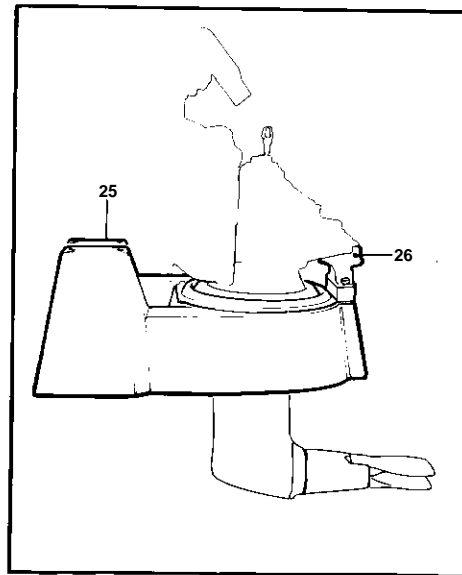
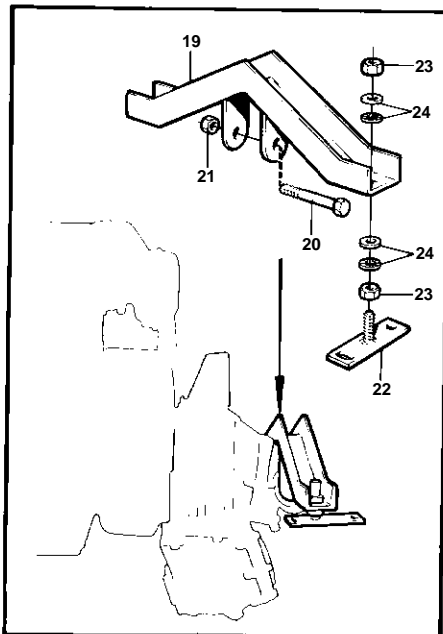
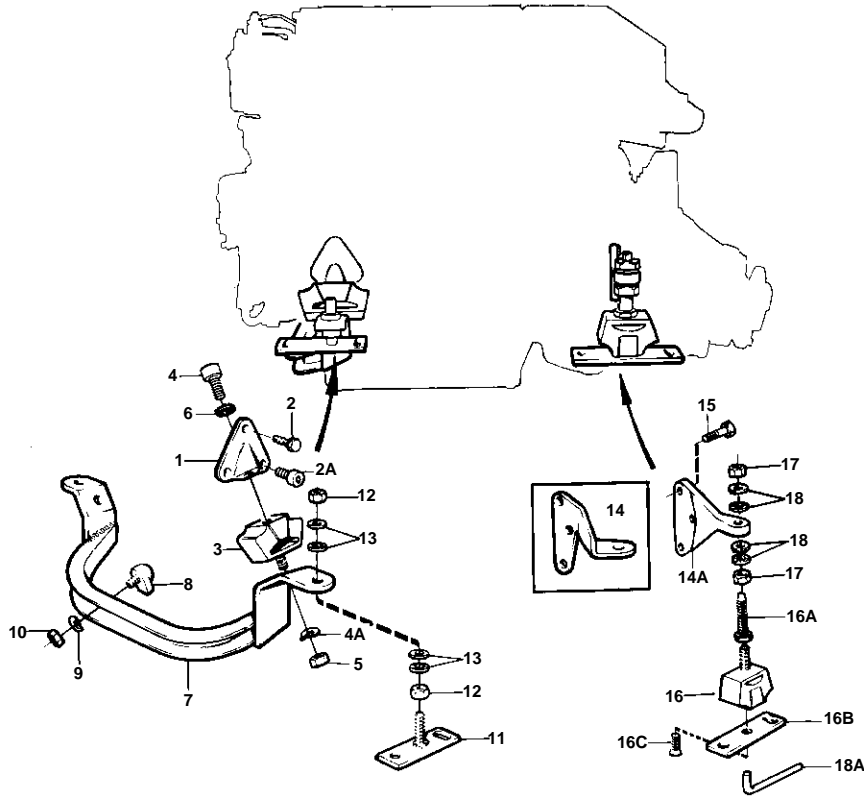


2003T



10157

2003T

REF	PART NO.	QTY	DESCRIPTION	NOTES
1	840701	2	Engine mountings	
2	970945	6	Screw	
3	840845	2	Rubber element	
4	959236	2	Screw	
4A	941908	2	Spring washer	
5	971071	2	Nut	
6	940109	2	Lock washer	
7	859898	1	Engine bracket	
8	840829	2	Rubber element	
9	941906	2	Spring washer	
10	955781	2	Nut	
11	840348	2	Adjusting plate	
12	955821	4	Nut	
13	829892	8	Lock washer	
14	840421	2	Engine mountings	SN-19215. REPLACED BY ENGINE BRACKET 858591 AND 858592 PLUS 6EA SCREW 955320
14	858591	1	Engine mountings	S.B SN19216- REPL BY 860344
	858592	1	Engine mountings	P SN19216- REPL BY 860343
14A	860344	1	Engine bracket	S.B
	860343	1	Engine bracket	P
15	955318	6	Screw	FOR 840421
	970950	6	Screw	(955320)
				FOR 858591-858592
				860343-860344
16	840845	2	Rubber element	
16A	838264	2	Adjuster screw	
16B	838263	2	Attaching plate	
16C	949149	2	Screw	
17	955806	4	Nut	
18	829893	8	Lock washer	
18A	914003	1	Allen wrench	
19	840861	1	Anchorage	
20	955395	1	Screw	
21	955786	1	Nut	
22	840348	2	Adjusting plate	
23	955821	4	Nut	
24	829892	8	Lock washer	